

Technical Data

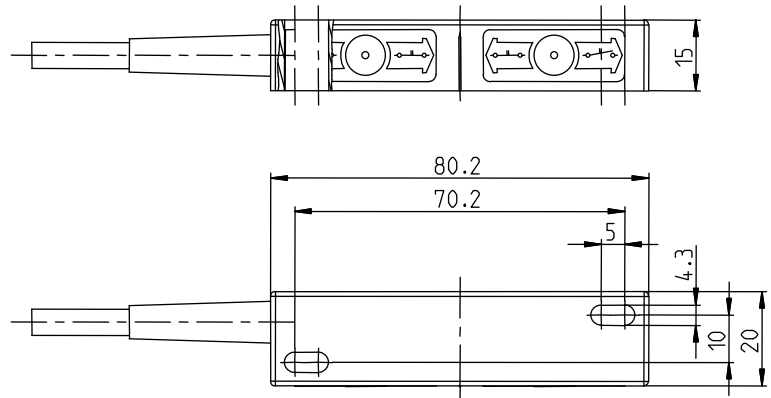
Magnetic switch

Series MA-02

Type designation **MAK-0214-A-3**

Item number **6319402691**

Wiring diagram



Identifying characteristics in accordance with EN 60947-5-1 and EN 62246-1

Electrical data

| | | |
|----------------------------|----------------|---|
| Assured operating distance | S _a | 10 mm |
| Switching element function | | bistable "N.O.-N.C." |
| Reed contact: | | |
| max. switching voltage | | 250 V AC / DC |
| max. switching current | | 3 A |
| max. switching capacity | | 120 VA |
| mechanical lifetime | | 3 x 10 ⁸ switchings, however, according to load resetability |
| Repeat accuracy | R | ± 0,1mm |
| Shock | | under same geometrical conditions at the same temperature |
| Vibration | | 50 g (11 ms, ½ Sine wave) |
| Corresponding magnet | | 35 g (10 - 1000 Hz) |
| | | T-67 |

Mechanical data

| | |
|-------------------------|--|
| Enclosure | PA 6.6, black; encapsulated reed contact |
| Ambient air temperature | -5 °C ... +70 °C |
| Type of protection | IP67 according to IEC 529, EN 60529 |
| Termination type | cable 2 x AWG20 x 3 m ± 5 %; PVC -outer jacket black; |
| Assembly position | optional (assembly on iron means reduction of switch distance) |

EU Conformity

acc. to directive 2004 / 108 / EC

Approvals



UL Listed, Ind. Cont. Eq. / Class 2 Power source

Note limited electrical data:

max. switching voltage 30 V AC / 60 V DC

max. switching current 2 A

max. switching capacity 100 VA

This document will not become the contractual basis; the details included herein do not constitute any descriptions of expected conditions, so that warranties/claims for defects on account of possible variations of the actual from the here described condition are excluded. Subject to modifications and amendments.

Date of issue: 25.06.2013 / Page 1 of 1
Document: 6319402691_en / Last update: 1 / 0022-13